

Yara soapstone



- 8 or 6 kW
- Soapstone frame
- Double walled construction - grey
- Window aircleaning system
- Cast iron grade
- Fuel switch
- Vermiculite firebox
- Flue connection top/rear: 150 mm
- H x W x D: 1176x560x400 mm
- For continuous use
- Fuel: wood, lignite



Airlogic



FirePlus



TripleAir



Cleaning Air



Double casing



Wood



Continuous use

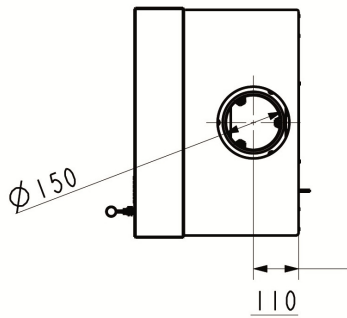
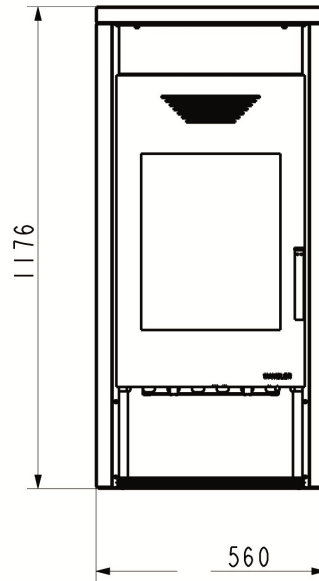
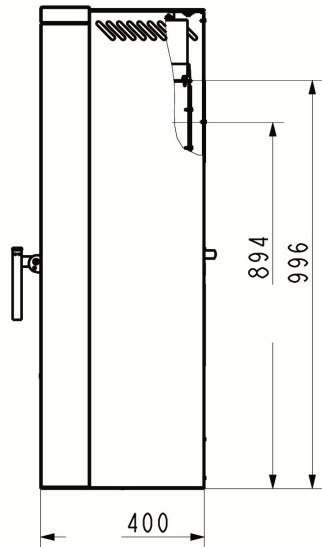


Brown coal



6-8 kW

Certification	1.BImSchV 1.+2.Stufe, CE, 15aB-VG, VKF
Heat output (kW)	8 or 6
Min-max heat output (kW)	4,0-8,3 or 3,0-6,3
Heat capacity (m3)	182 or 116
Flue connection back,top (mm)	150
Flue gas quantity (g/s)	7,9 vagy 6,2
Flue gas temperature (C)	295/268
Air needs Pa	12
Size H x W x D (mm)	1176x560x400
Fuel	wood, lignite
Window size H x W (mm)	430x340
Firebox size W x D x H (mm)	370x250x420
Net weight (kg)	146



Wamsler SE
3100 Salgótarján, Rákóczi út 53-55
www.wamsler.hu

WAMSLER[®]
szett 1875