



- 8 or 6 kW
- Heat storage
- Double walled construction - grey
- Window aircleaning system
- Cast iron grade
- Fuel switch
- Vermiculite firebox
- Flue connection top/rear: 150 mm
- H x W x D: 1245x600x540 mm
- For continuous use
- Fuel: wood, lignite


**Airlogic**

**FirePlus**

**TripleAir**

**Heat storage**

**Cleaning Air**

**Double casing**

**Wood**

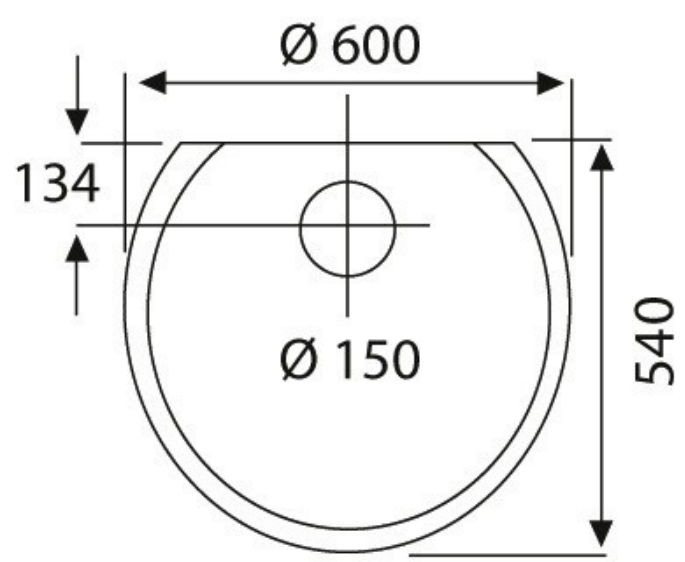
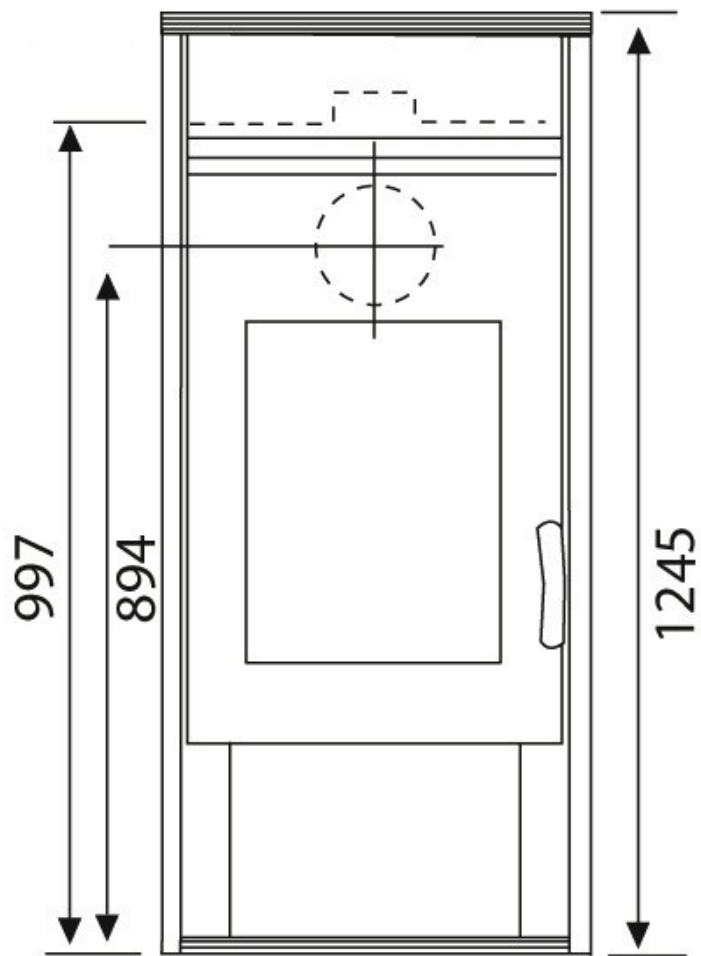
**Continuous use**

**Brown coal**

**Corner design**

**6-8 kW**

<b>Certification</b>	1.+2.Stufe 1.BImSchV, CE, 15aB-VG, VKF
<b>Heat output (kW)</b>	8 or 6
<b>Min-max heat output (kW)</b>	4,0-8,3 or 3,0-6,3
<b>Heat capacity (m<sup>3</sup>)</b>	182 or 116
<b>Flue connection back,top (mm)</b>	150
<b>Flue gas quantity (g/s)</b>	7,9 vagy 6,2
<b>Flue gas temperature (C)</b>	295/268
<b>Air needs Pa</b>	12
<b>Size H x W x D (mm)</b>	1245x600x540
<b>Fuel</b>	wood, lignite
<b>Window size H x W (mm)</b>	430x340
<b>Firebox size W x D x H (mm)</b>	370x250x420
<b>Net weight (kg)</b>	249



**Wamsler SE**  
3100 Salgótarján, Rákóczi út 53-55  
[www.wamsler.hu](http://www.wamsler.hu)