



- 5 kW
- Cast iron doors and top plate
- Enameled casing
- Cast iron grade
- Fireclay firebox
- Flue connection rear: 120 mm
- H x W x D: 881x291x341 mm
- For continuous use
- Fuel: wood, lignite



Double casing



Wood

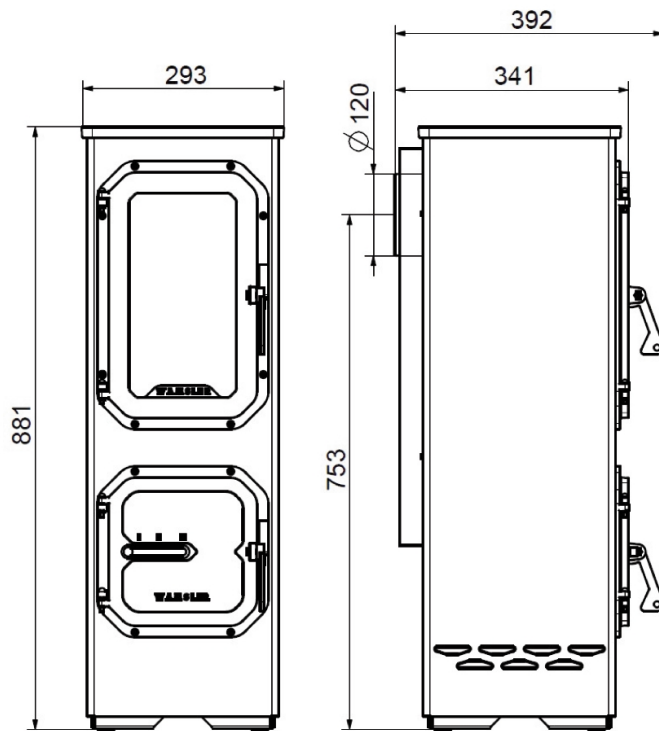


Continuous use



Brown coal

Certification	2.Stufe 1.BImSchV, CE, 15aB-VG, VKF
Heat output (kW)	5
Min-max heat output (kW)	2,4-5,0
Heat capacity (m3)	88
Flue gas quantity (g/s)	4,7
Flue gas temperature (C)	396
Air needs Pa	12
Size H x W x D (mm)	881x291x341
Fuel	wood, lignite
Window size H x W (mm)	295x155
Firebox size W x D x H (mm)	215x230x500
Net weight (kg)	51,5



**Wamsler SE**  
3100 Salgótarján, Rákóczi út 53-55  
[www.wamsler.hu](http://www.wamsler.hu)

**WAMSLER**<sup>®</sup>  
SEIT 1875