



- 8 kW
- Extern Air
- Hot Spot
- Large-sized oven with rails
- Build-in spacers
- Window aircleaning system
- Hand rail
- Enameled casing
- Cast iron grade
- Fuel switch
- Fireclay firebox
- Flue connection left or right - top/rear: 120 mm
- H x W x D: 850/900 x 908 x 600 mm
- Fuel: wood, lignite


Automat

Airlogic

FirePlus

TripleAir

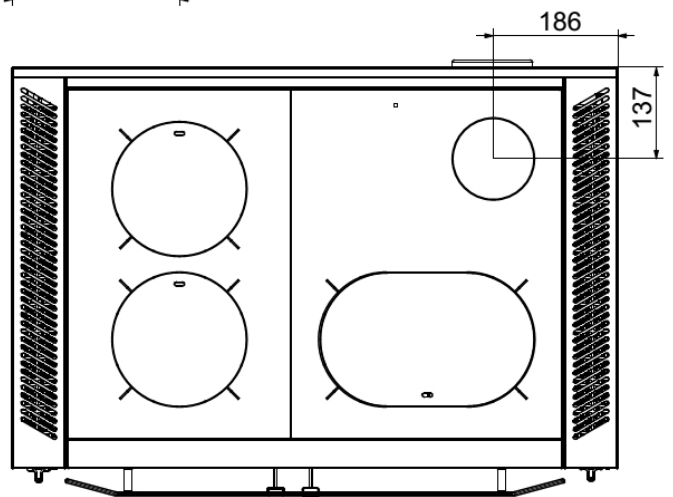
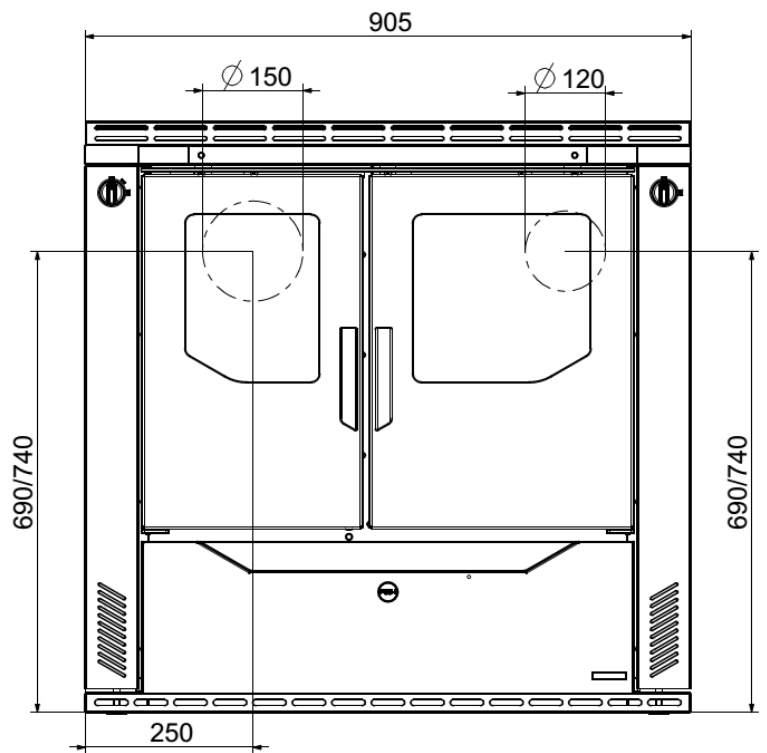
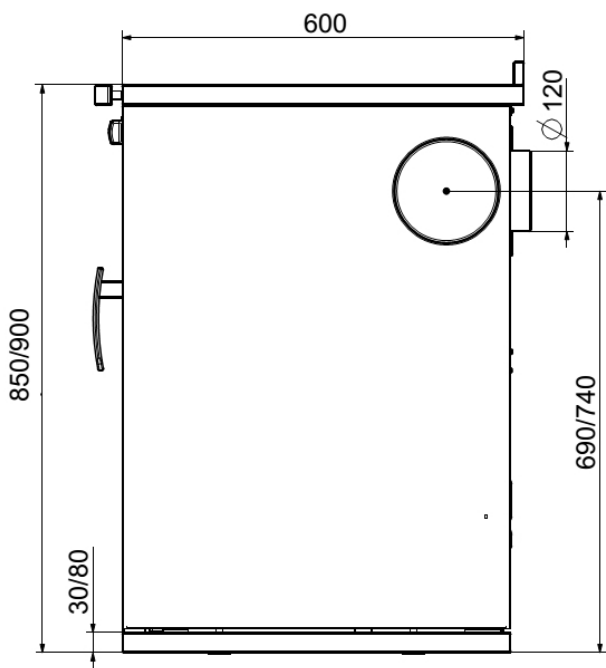
Cleaning Air

Double casing

Wood

Brown coal

Certification	2. Stufe BImSchV, CE, 15aB-VG, VKF
Heat output (kW)	8
Min-max heat output (kW)	4-8,3
Flue gas quantity (g/s)	10,4/10,5
Flue gas temperature (C)	210/235
Air needs Pa	12
Size H x W x D (mm)	850 od. 900x908x600
Fuel	wood, lignite
Net weight (kg)	195



Wamsler SE
3100 Salgótarján, Rákóczi út 53-55
www.wamsler.hu

WAMSLER®
SINCE 1875