



- 6 kW
- Extern Air
- Hot Spot
- Window aircleaning system
- Build-in spacers
- Hand rail
- Enameled casing
- Cast iron grade
- Fuel switch
- Fireclay firebox
- Flue connection left or right - top/rear: 120 mm
- H x W x D: 850/900 x 500 x 600 mm
- Fuel: wood, lignite


**Automat**

**Airlogic**

**FirePlus**

**TripleAir**

**Cleaning Air**

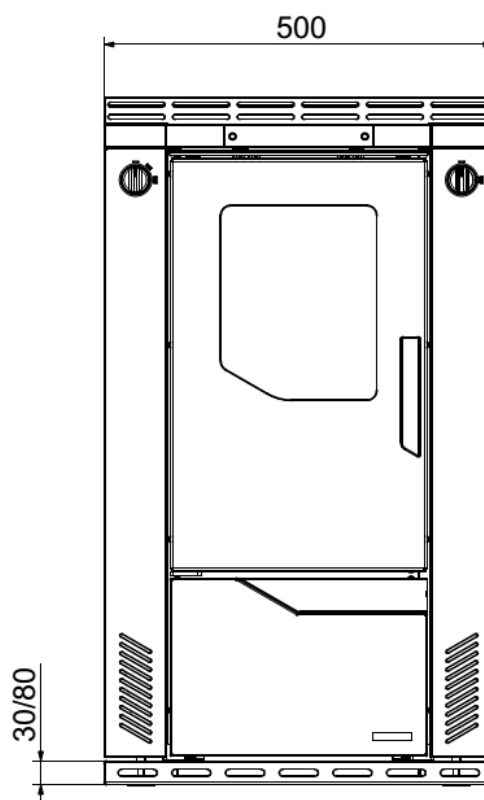
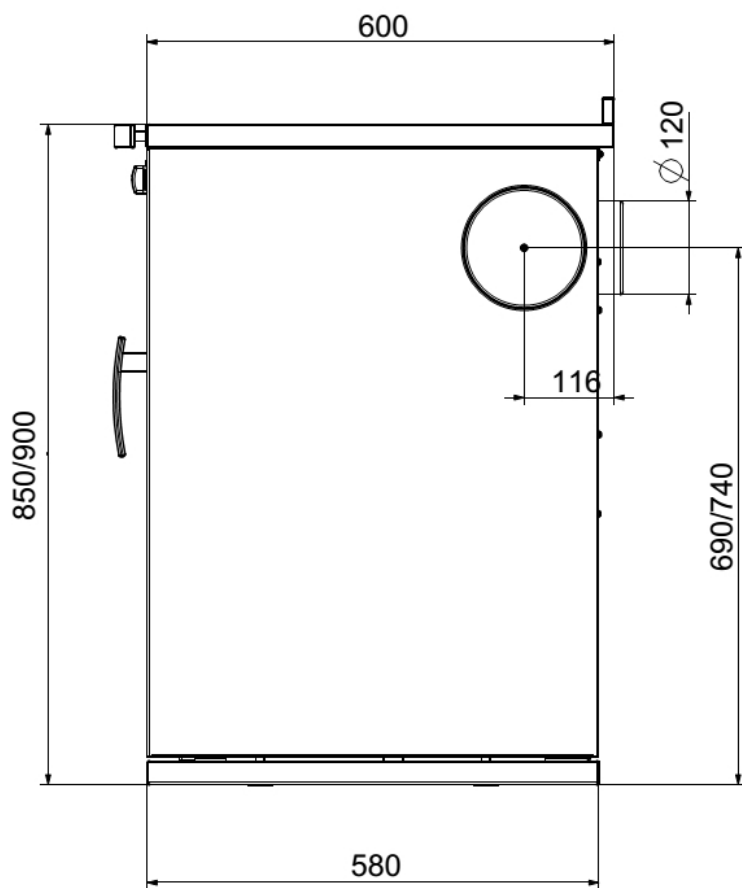
**Double casing**

**Wood**

**Brown coal**

**Long combustion**

Certification	1.+2. Stufe BImSchV, CE, 15aB-VG, VKF
Heat output (kW)	6
Min-max heat output (kW)	3,1-6,3
Flue gas quantity (g/s)	9,7
Flue gas temperature (C)	275
Air needs Pa	12
Size H x W x D (mm)	850 od. 900x503x600
Fuel	wood, lignite
Net weight (kg)	128



**Wamsler SE**  
3100 Salgótarján, Rákóczi út 53-55  
[www.wamsler.hu](http://www.wamsler.hu)